

- Screw terminal connections
- AC coil
- Panel mount

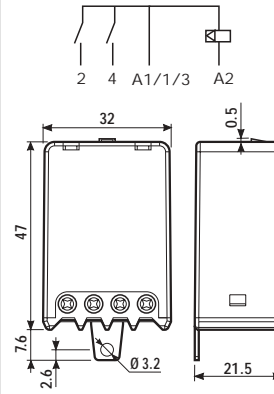
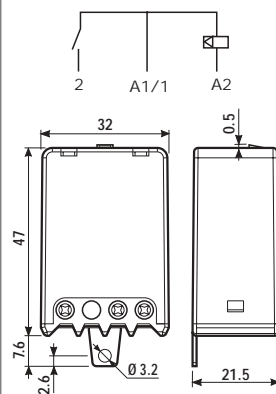
27.01

27.05/06



- Single phase switch 1 NO

- Double phase switch 2 NO



Contact specifications			
Number of contacts		1	2
Rated current/Max. peak current	A	10/20	10/20
Rated voltage/Max. switching voltage	V AC	230/230	230/230
Rated load in AC1	VA	2,300	2,300
Rated load in AC15 (230 VAC)	VA	500	500
Nominal lamp rating: incandescence (230V)	W	1000	1000
compensated fluorescent (230V)	W	360	360
uncompensated fluorescent (230V)	W	500	500
halogens (230V)	W	800	800
Minimum switching load	mW(V/mA)	1,000 (10/10)	1,000 (10/10)
Standard contact material		AgNi	AgNi
Coil specifications			
Nominal voltage	V AC (50Hz)	230	230
	V DC	—	—
Rated power AC/DC	VA (50Hz)/W	4/—	4/—
Operating range	AC (50Hz)	(0.8...1.1)U _N	(0.8...1.1)U _N
	DC	—	—
Technical data			
Mechanical life	cycles	300 · 10 ³	300 · 10 ³
Electrical life at rated load in AC1	cycles	100 · 10 ³	100 · 10 ³
Maximum impulse duration		1 h (according to EN60669)	1 h (according to EN60669)
Insulation between coil and contacts (1.2/50μs)	kV	4	4
Ambient temperature range	°C	-40...+40	-40...+40
Protection category		IP 20	IP 20
Approvals: (according to type)			

ORDERING INFORMATION

Example: a 27 series clamp terminal mount relay with single phase switch 1 NO - 10 A contacts, with coil rated at 230 V AC.

2 7 . 0 1 . 8 . 2 3 0 . 0 0 0 0

Series _____

Type _____

0 = Clamp terminal

No. of poles _____

1 = Single phase switch 1 NO

5 = 4 sequence double phase switch 2 NO

6 = 3 sequence double phase switch 2 NO

Coil voltage

see coil specifications

Coil version

8 = AC (50 Hz)

TECHNICAL DATA

INSULATION

DIELECTRIC STRENGTH - between open contacts	V AC	2,000
--	------	-------

OTHER DATA

		27.01	27.05, 27.06		
POWER LOST TO THE ENVIRONMENT - with rated current	W	0.9	1.8		
MAX WIRE SIZE		solid cable	stranded cable	solid cable	stranded cable
	mm ²	2x2.5	1x4 / 2x2.5	2x2.5	1x4 / 2x2.5
	AWG	2x14	1x12 / 2x14	2x14	1x12 / 2x14
SCREW TORQUE	Nm	0.8	0.8		

COIL SPECIFICATIONS

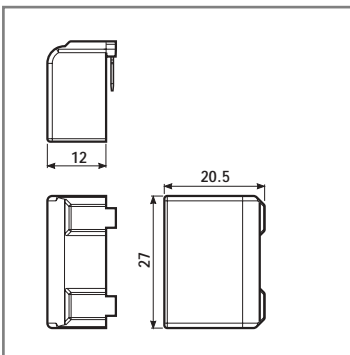
AC VERSION DATA

Nominal voltage U_N V	Coil code 8.230	Operating range		Resistance R	Consumption I at U_N (50Hz) mA
		U_{min} V	U_{max} V		
230	8.230	184	253	6500	17.5

Type	Number of steps	Sequences			
		1	2	3	4
27.01	2				
27.05	4				
27.06	3				

ACCESSORIES

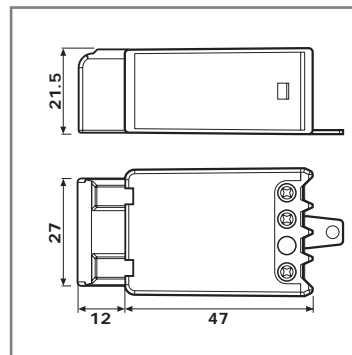
MODULE FOR ILLUMINATED PUSH-BUTTONS



Type 027.00

This module is necessary if using up to a maximum of 15 illuminated push-buttons (1 mA max, 230 V AC) in the switching input circuit.

It must be plugged directly into the relay.



27 series relay with 027.00 module.