

- Types available:
 - type 12.01/11 - mechanical daily time switch
 - type 12.21/22/71 - digital weekly time switch
- 17.5 mm wide (type 12.11/71)
- 35 mm rail (EN 50022) mount
- Internal battery for the set up without supply (types 12.21/22/71)
- Impulse function (1...59)s (types 12.21/22/71)
- Automatically adjusts for daylight saving (types 12.21/22/71)

	12.01	12.11
	- Mechanical daily time switch - 1 CO (SPDT) - 35 mm rail mount	- Mechanical daily time switch - 1 NO (SPST-NO) - 35 mm rail mount
Contact specifications		
Contact configuration	1 CO (SPDT)	1 NO (SPST-NO)
Rated current/Max. peak current	A 16/—	16/30
Rated voltage/Max. switching voltage	V AC 250/—	250/—
Rated load in AC1	VA 4,000	4,000
Rated load in AC15 (230 V AC)	VA 750	420
Nominal lamp rating: incandescent (230 V)	W 2,000 (NO contact)	2,000
compensated fluorescent (230 V)	W 750 (NO contact)	750
uncompensated fluorescent (230 V)	W 1,000 (NO contact)	1,000
halogen (230 V)	W 2,000 (NO contact)	2,000
Minimum switching load	mW (V/mA) 1,000 (10/10)	1,000 (10/10)
Standard contact material	AgCdO	AgCdO
Supply specifications		
Nominal voltage	V AC (50/60 Hz) 230	230
	V DC —	—
Rated power AC/DC	VA (50 Hz)/W 2/—	2/—
Operating range	AC (50 Hz) (0.85...1.1)U _N	(0.85...1.1)U _N
	DC —	—
Technical data		
Electrical life at rated load in AC1	cycles 50 · 10 ³	50 · 10 ³
Type of time switch	daily	daily
Programs	48 switching point	96 switching point
Minimum interval setting	min 30	15
Accuracy	s/day 1.5	1.5
Ambient temperature range	°C -5...+55	-5...+55
Protection category	IP 20	IP 20
Approvals (according to type):	GOST	

- Types available:
 - type 12.01/11 - mechanical daily time switch
 - type 12.21/22/71 - digital weekly time switch
- 17.5 mm wide (type 12.11/71)
- 35 mm rail (EN 50022) mount
- Internal battery for the set up without supply (types 12.21/22/71)
- Impulse function (1...59)s (types 12.21/22/71)
- Automatically adjusts for daylight saving (types 12.21/22/71)

	12.21	12.22	12.71
	- Digital weekly time switch - 1 CO (SPDT) - 35 mm rail mount	- Digital weekly time switch - 2 CO (DPDT) - 35 mm rail mount	- Digital weekly time switch - 1 CO (SPDT) - 35 mm rail mount
Contact specifications			
Contact configuration	1 CO (SPDT)	2 CO (DPDT)	1 CO (SPDT)
Rated current/Max. peak current	A 16/30	A 16/30	A 16/30
Rated voltage/Max. switching voltage	V AC 250/—	V AC 250/—	V AC 250/—
Rated load in AC1	VA 4,000	VA 4,000	VA 4,000
Rated load in AC15 (230 V AC)	VA 750	VA 750	VA 420
Nominal lamp rating: incandescent (230 V)	W 2,000 (NO contact)	W 2,000 (NO contact)	W 2,000 (NO contact)
compensated fluorescent (230 V)	W 420 (NO contact)	W 420 (NO contact)	W 750 (NO contact)
uncompensated fluorescent (230 V)	W 1,000 (NO contact)	W 1,000 (NO contact)	W 1,000 (NO contact)
halogen (230 V)	W 2,000 (NO contact)	W 2,000 (NO contact)	W 2,000 (NO contact)
Minimum switching load	mW (V/mA) 1,000 (10/10)	mW (V/mA) 1,000 (10/10)	mW (V/mA) 1,000 (10/10)
Standard contact material	AgCdO	AgCdO	AgCdO
Supply specifications			
Nominal voltage	V AC (50/60 Hz) 24 230	V AC (50/60 Hz) 230	V AC (50/60 Hz) 230
	V DC 24	V DC —	V DC —
Rated power AC/DC	VA (50 Hz)/W 1.4/1.4 2/—	VA (50 Hz)/W 2/—	VA (50 Hz)/W 2/—
Operating range	AC (50 Hz) (0.9...1.1)U _N (0.85...1.1)U _N	AC (50 Hz) (0.85...1.1)U _N	AC (50 Hz) (0.85...1.1)U _N
	DC (0.9...1.1)U _N —	DC —	DC —
Technical data			
Electrical life at rated load in AC1	cycles 50 · 10 ³	cycles 50 · 10 ³	cycles 50 · 10 ³
Type of time switch	weekly	weekly	weekly
Programs	30	30	30
Minimum interval setting	min 1	min 1	min 1
Accuracy	s/day 1.5	s/day 1.5	s/day 1.5
Ambient temperature range	°C -5...+55 -10...+55	°C -5...+55	°C -10...+55
Protection category	IP 20	IP 20	IP 20
Approvals (according to type):			GOST

ORDERING INFORMATION

Example: a 12 series, mechanical daily time switch, 1 CO (SPDT) 16 A, supply voltage 230 V AC.

1 2 . 0 1 . 8 . 2 3 0 . 0 0 0 0

<p>Series _____</p> <p>Type _____</p> <p>0 = Daily, 35.8 mm wide 1 = Daily, 17.5 mm wide 2 = Weekly, 35.8 mm wide 7 = Weekly, 17.5 mm wide</p> <p>No. of poles _____</p> <p>1 = 1 CO (SPDT), 16 A 2 = 2 CO (DPDT), 16 A (for 12.22 only)</p>	<p>Option</p> <p>0 = with power back-up 1 = without power back-up (for 12.11 only)</p> <p>Supply voltage</p> <p>024 = 24 V AC/DC 230 = 230 V</p> <p>Supply version</p> <p>0 = AC (50/60 Hz)/DC (for 12.21.0.024 only) 8 = AC (50/60 Hz)</p>
---	--

TECHNICAL DATA

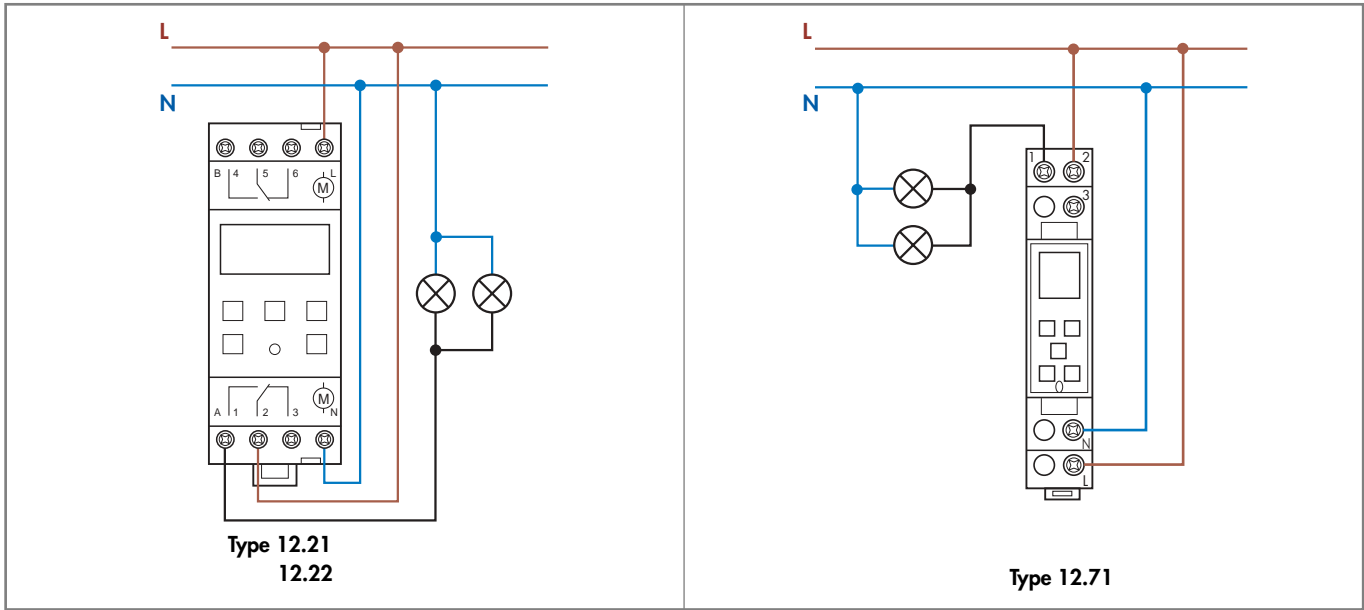
INSULATION		12.01, 12.11		12.21/12.22/12.71	
Dielectric strength - between open contacts	V	1,000		1,000	
OTHER DATA		12.01, 12.11		12.21/12.22/12.71	
Power back-up		70 h (following 80 h of continuous energisation)		6 years after the first operation	
Power lost to the environment - without contact current	W	1.5		2	
	W	2.5		3 (for 1 CO or SPDT)	4 (for 2 CO or DPDT)
Max wire size		solid cable	stranded cable	solid cable	stranded cable
	mm ²	1x6 / 2x4	1x6 / 2x2.5	1x6 / 2x4	1x6 / 2x2.5
	AWG	1x10 / 2x12	1x10 / 2x14	1x10 / 2x12	1x10 / 2x14
Screw torque	Nm	1.2		1.2	

WIRING DIAGRAMS

Type 12.01
SELECTOR SWITCH:
Permanently OFF (O)
Automatic (AUTO)
Permanently ON (I)

Type 12.11

WIRING DIAGRAMS



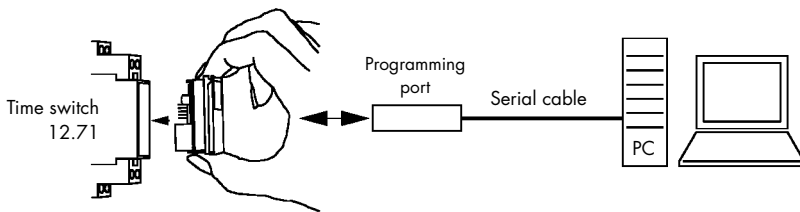
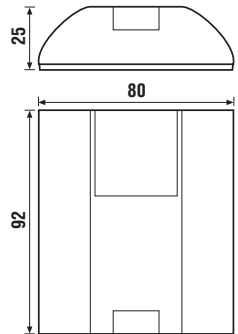
ACCESSORIES



012.00

PC programming kit for type 12.71 contents: programming port, serial cable and software	012.00
---	--------

- Power supply: via PC-RS232 serial interface
- Power consumption: < 10 mA
- Ambient temperature: (-5...+35)°C
- Protection category: IP 00



INSTALLATION OF PC-SOFTWARE

- Place the CD in the CD-drive
- Installation should START
- Follow the on-screen instructions
- Choose your language and COM1...COM4 in "setting menu"