

- One module (17.4 mm) wide
- Time range from 30 s to 20 min
- Can be used with illuminated push - buttons
- Suitable for 3 or 4 wiring systems
- LED indicators
- 35 mm rail (EN 50022) mount

	14.01	14.71
	<ul style="list-style-type: none"> - Multi-function - 1 NO - 35 mm rail mount 	<ul style="list-style-type: none"> - For 3 or 4 wiring system - 1 NO - 35 mm rail mount
Contact specifications		
Contact configuration	1 NO	1 NO
Rated current/Max. peak current	A 16/30 (100 A - 5 ms)	A 16/30 (100 A - 5 ms)
Rated voltage/Max. switching voltage	V AC 230/—	V AC 230/—
Rated load in AC1	VA 3,700	VA 3,700
Rated load in AC15 (230 VAC)	VA 750	VA 750
Nominal lamp rating: incandescence (230V)	W 2,000	W 2,000
compensated fluorescent (230V)	W 750	W 750
uncompensated fluorescent (230V)	W 1,000	W 1,000
halogens (230V)	W 2,000	W 2,000
Minimum switching load	mW(V/mA) 1,000 (10/10)	mW(V/mA) 1,000 (10/10)
Standard contact material	AgSnO ₂	AgSnO ₂
Supply specifications		
Nominal voltage	V AC (50/60Hz) 230	V AC (50/60Hz) 230
	V DC —	V DC —
Rated power AC/DC	VA (50Hz)/W 2/—	VA (50Hz)/W 1.5/—
Operating range	AC (50Hz) (0.8...1.1)U _N	AC (50Hz) (0.8...1.1)U _N
	DC —	DC —
Technical data		
Electrical life at rated load in AC1	cycles 100 · 10 ³	cycles 100 · 10 ³
Delay setting	min 0.5...20	min 0.5...20
Max no. of illuminated push-button (≤1mA)	15	30
Maximum impulse duration	continuous	continuous
Ambient temperature range	°C -10...+50	°C -10...+60
Protection category	IP 20	IP 20
Approvals: (according to type)		

ORDERING INFORMATION

Example: a 14 series single module relay with a single phase switch 1 NO - 16 A contact, with supply rated at 230 V AC.

1 4 . 0 1 . 8 . 2 3 0 . 0 0 0 0

Series

Type

0 = 35 mm rail (EN 50022) mount, multi-function
7 = 35 mm rail (EN 50022) mount

No. of poles

1 = Single phase switch, 16 A

Supply voltage

230 = 230 V

Supply version

8 = AC (50/60 Hz)

TECHNICAL DATA

INSULATION

14.01

14.71

DIELECTRIC STRENGTH			
- between open contacts	V AC	1,000	1,000

OTHER DATA

14.01

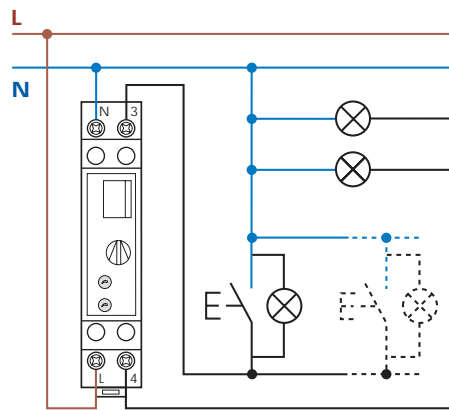
14.71

POWER LOST IN THE ENVIRONMENT					
- without contact current	W	1.3	1		
- with rated current	W	3.3	3.3		
MAX WIRE SIZE		solid cable	stranded cable	solid cable	stranded cable
	mm ²	1x6 / 2x4	1x4 / 2x2.5	1x6 / 2x4	1x4 / 2x2.5
	AWG	1x10 / 2x12	1x12 / 2x14	1x10 / 2x12	1x12 / 2x14
SCREW TORQUE	Nm	0.8		0.8	

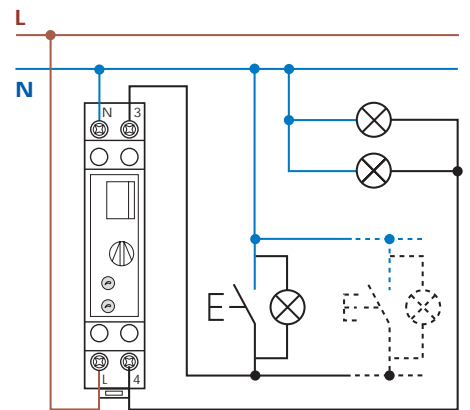
WIRING DIAGRAMS

Type 14.01

LED indication:
red = relay ON
green = power ON



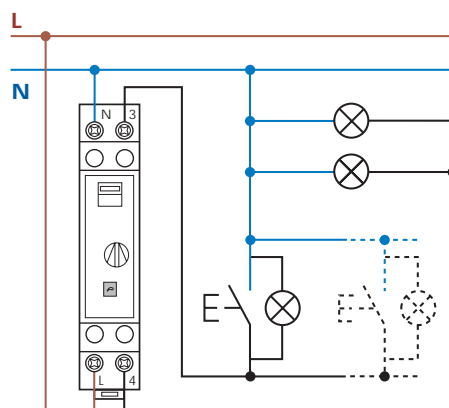
3 wire connection



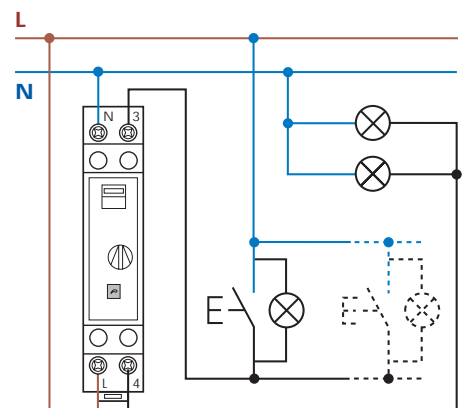
4 wire connection

Type 14.71

LED indication:
red = relay ON



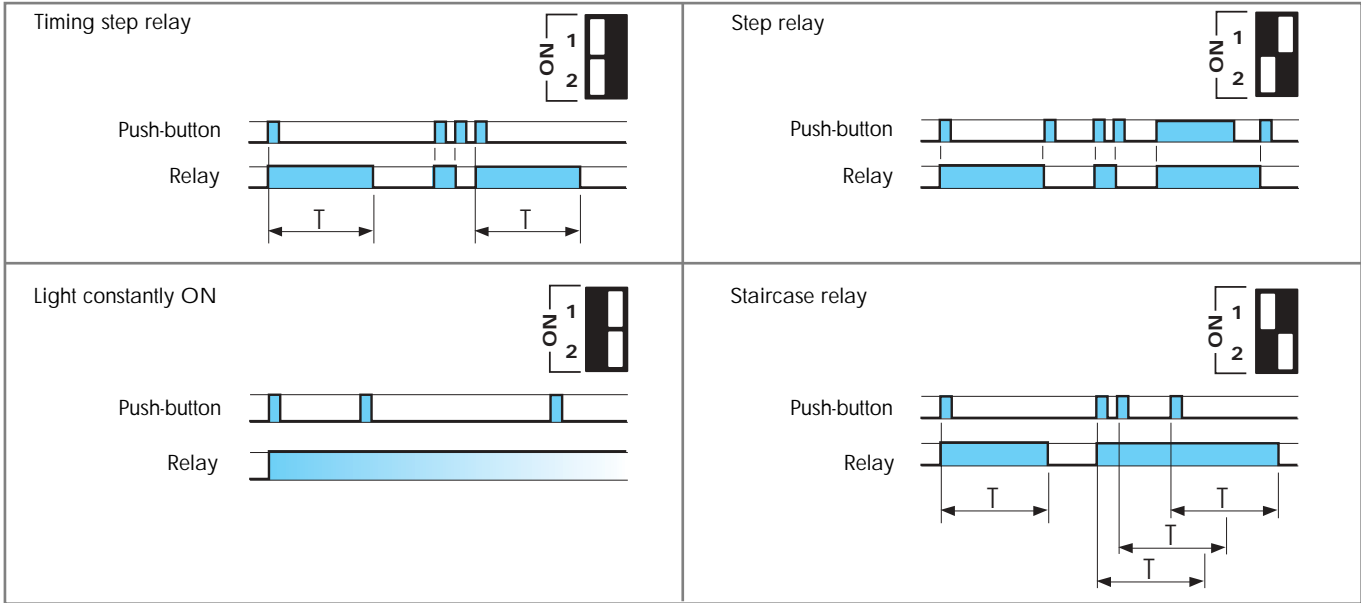
3 wire connection



4 wire connection

FUNCTIONS

Type 14.01.8.230 The following functions are selected by means of a DIP SWITCH:



Type 14.71.8.230 The following functions are selected by means of a SELECTOR SWITCH:

